

MUD FLAP

customized logo

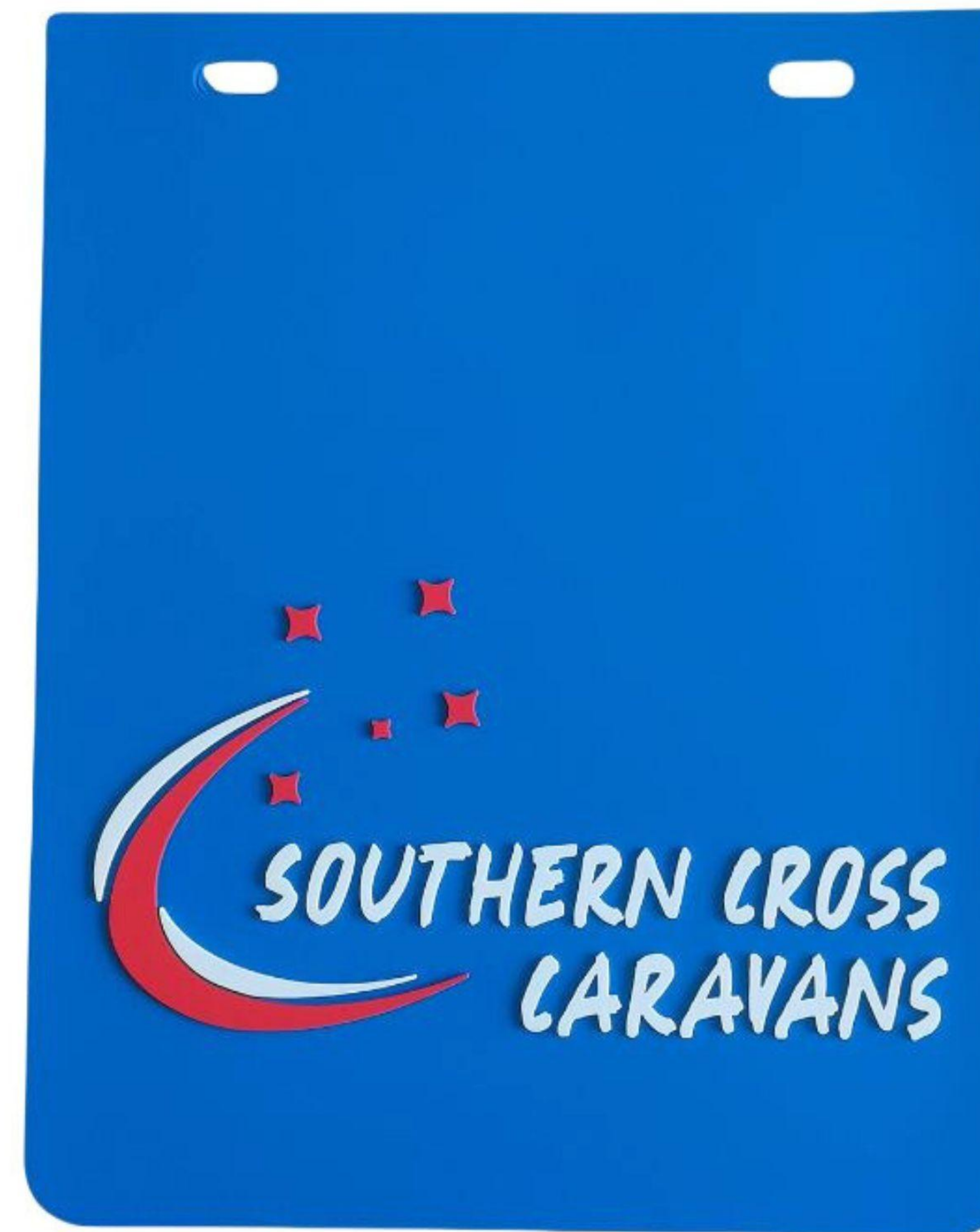
New type 3D Concave-convex

PRODUCT INTRODUCTION

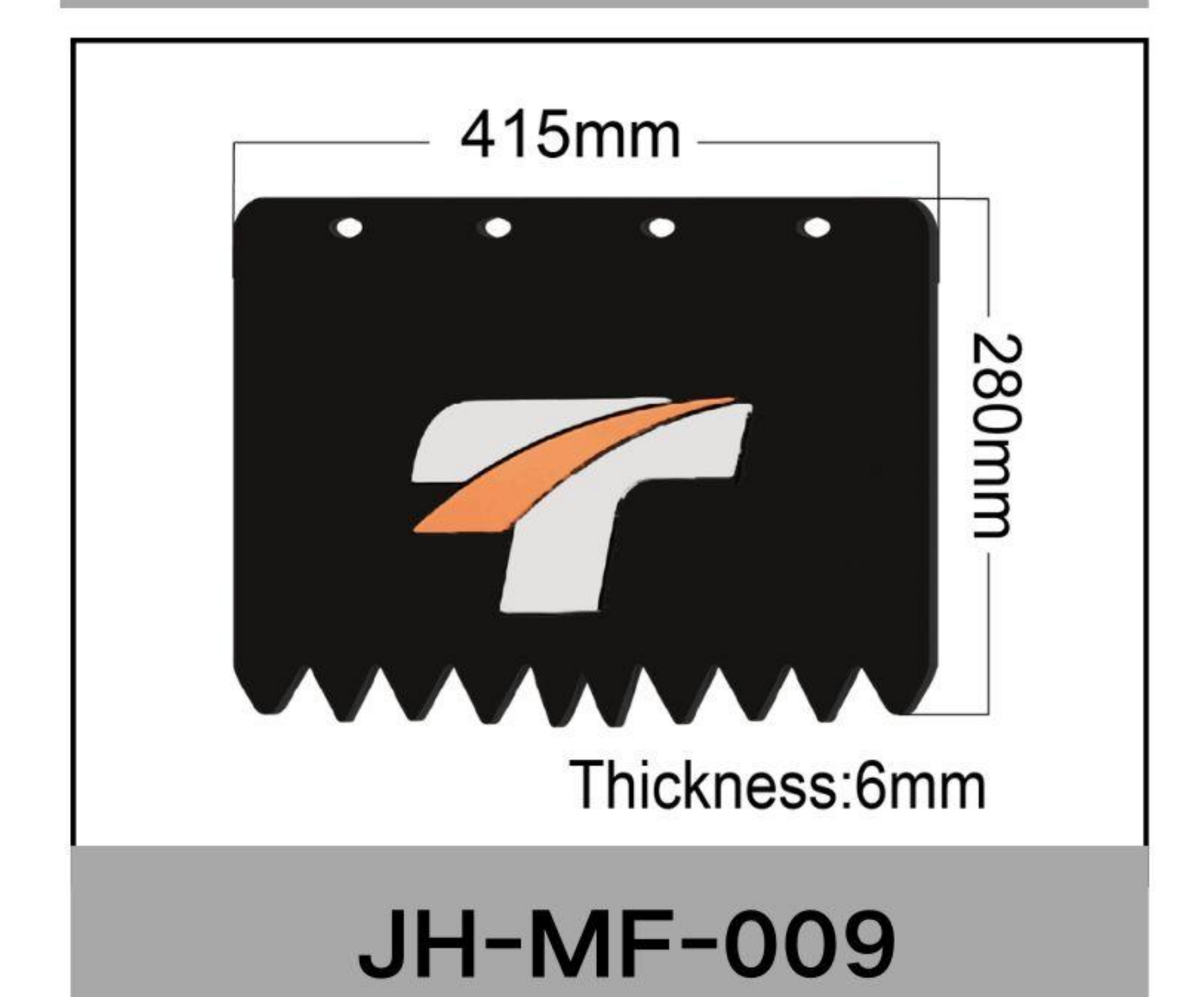
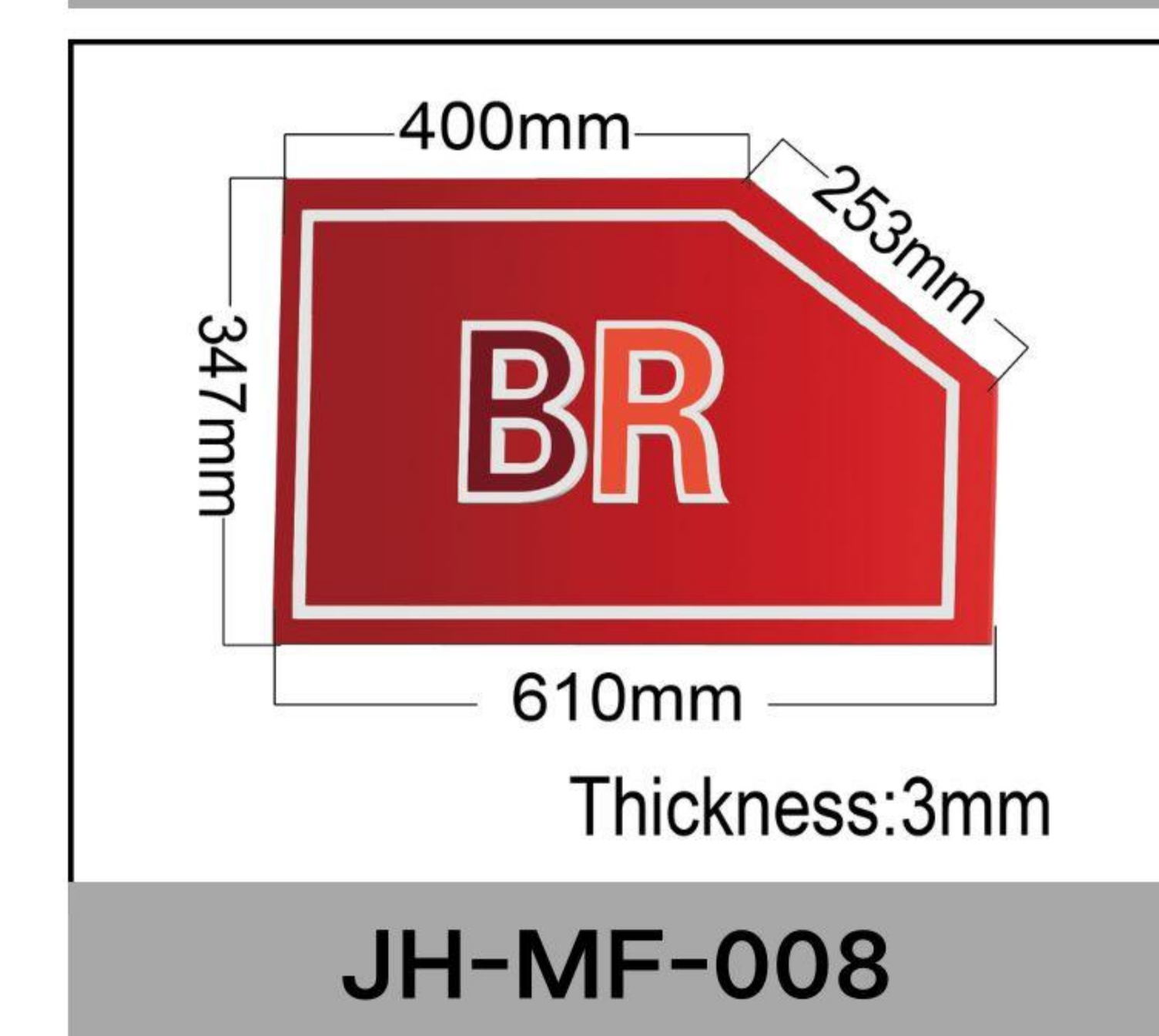
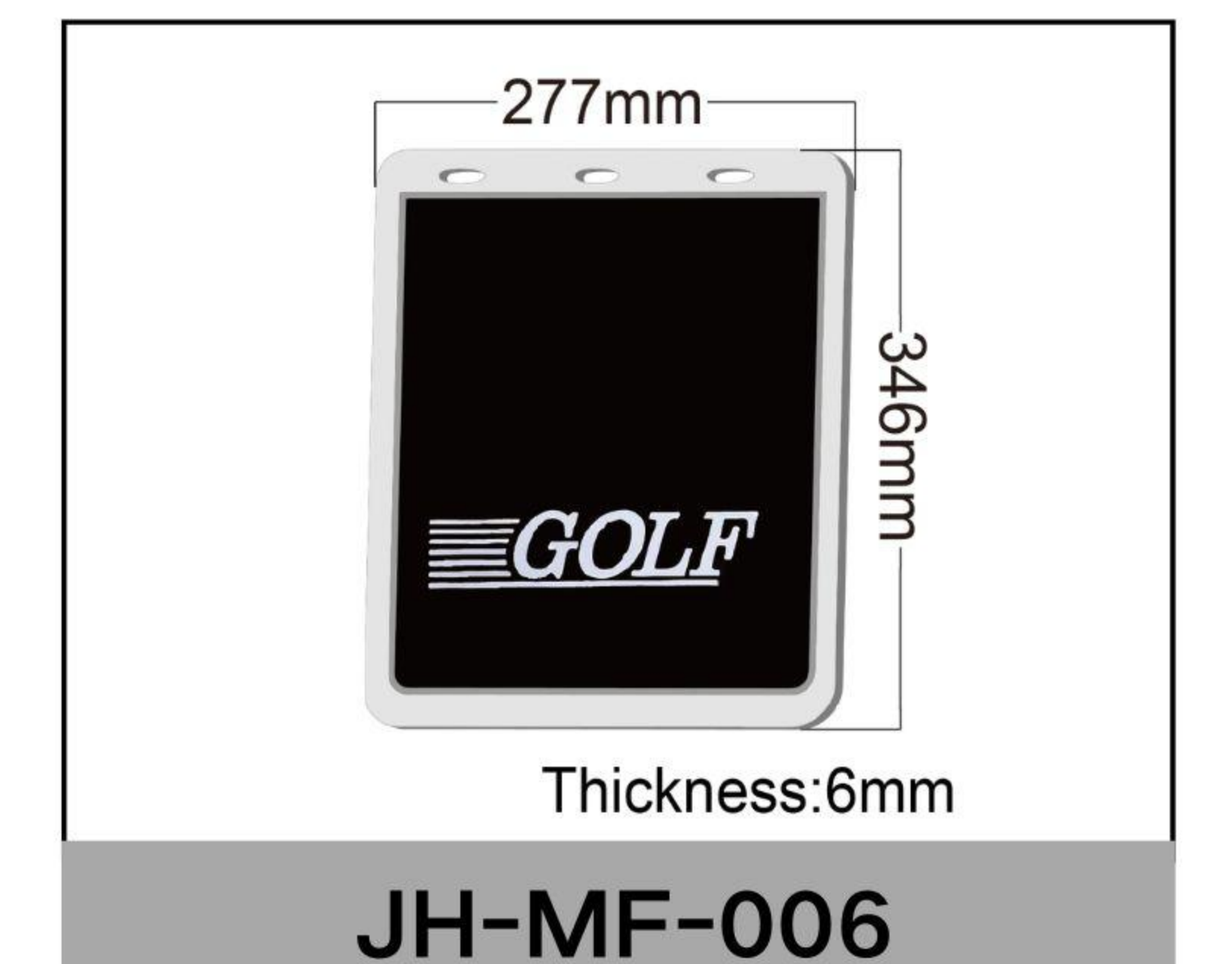
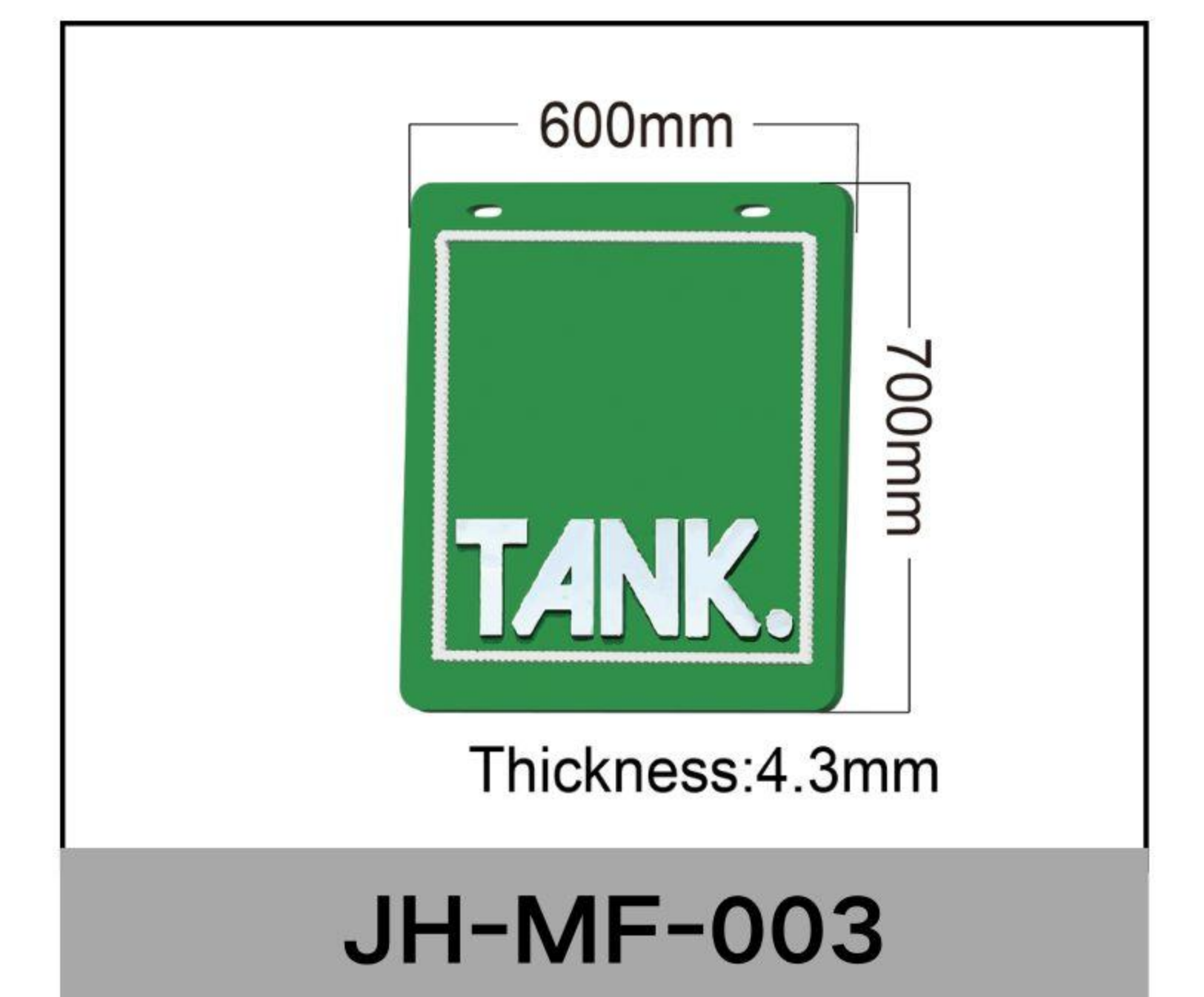
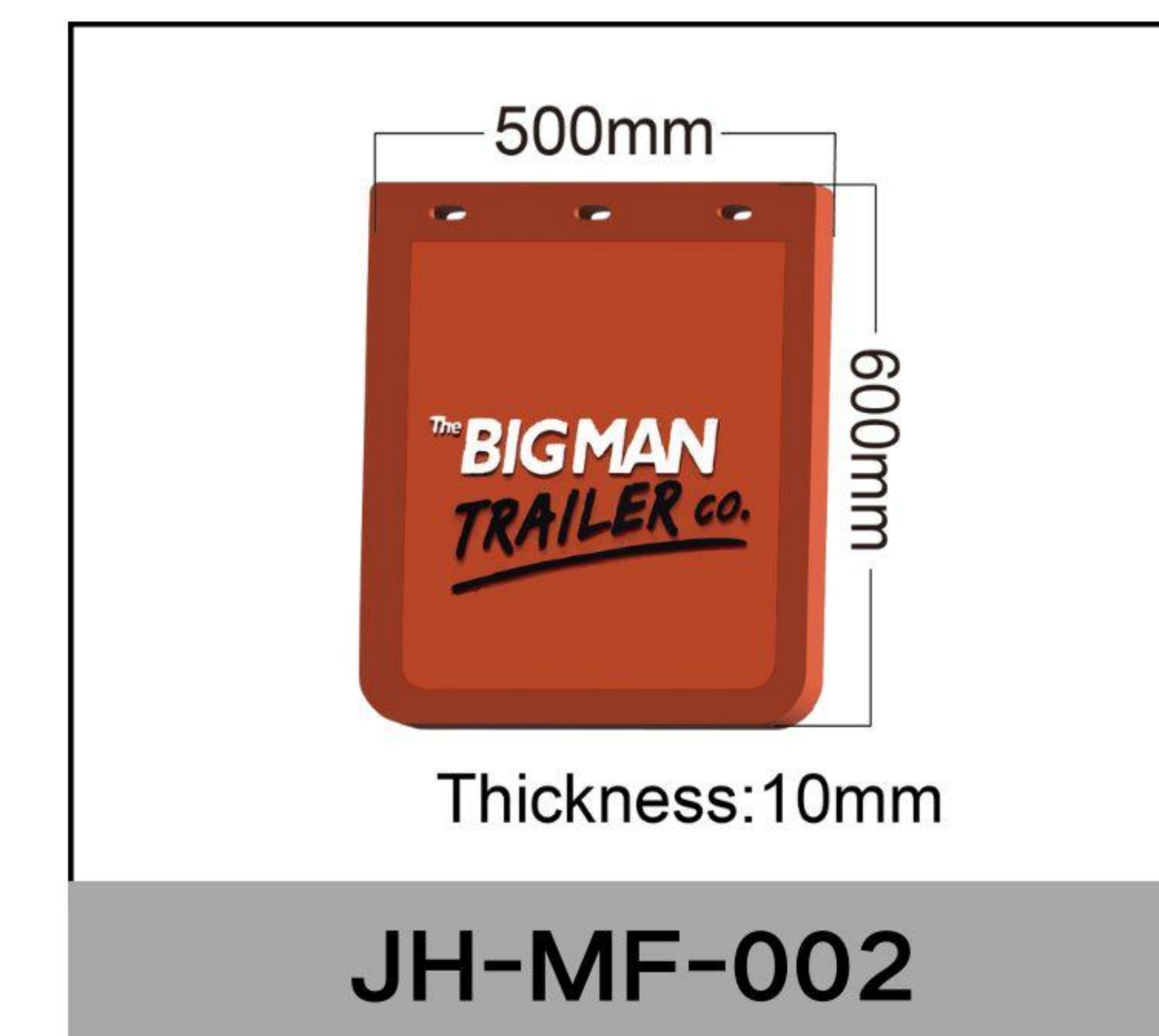
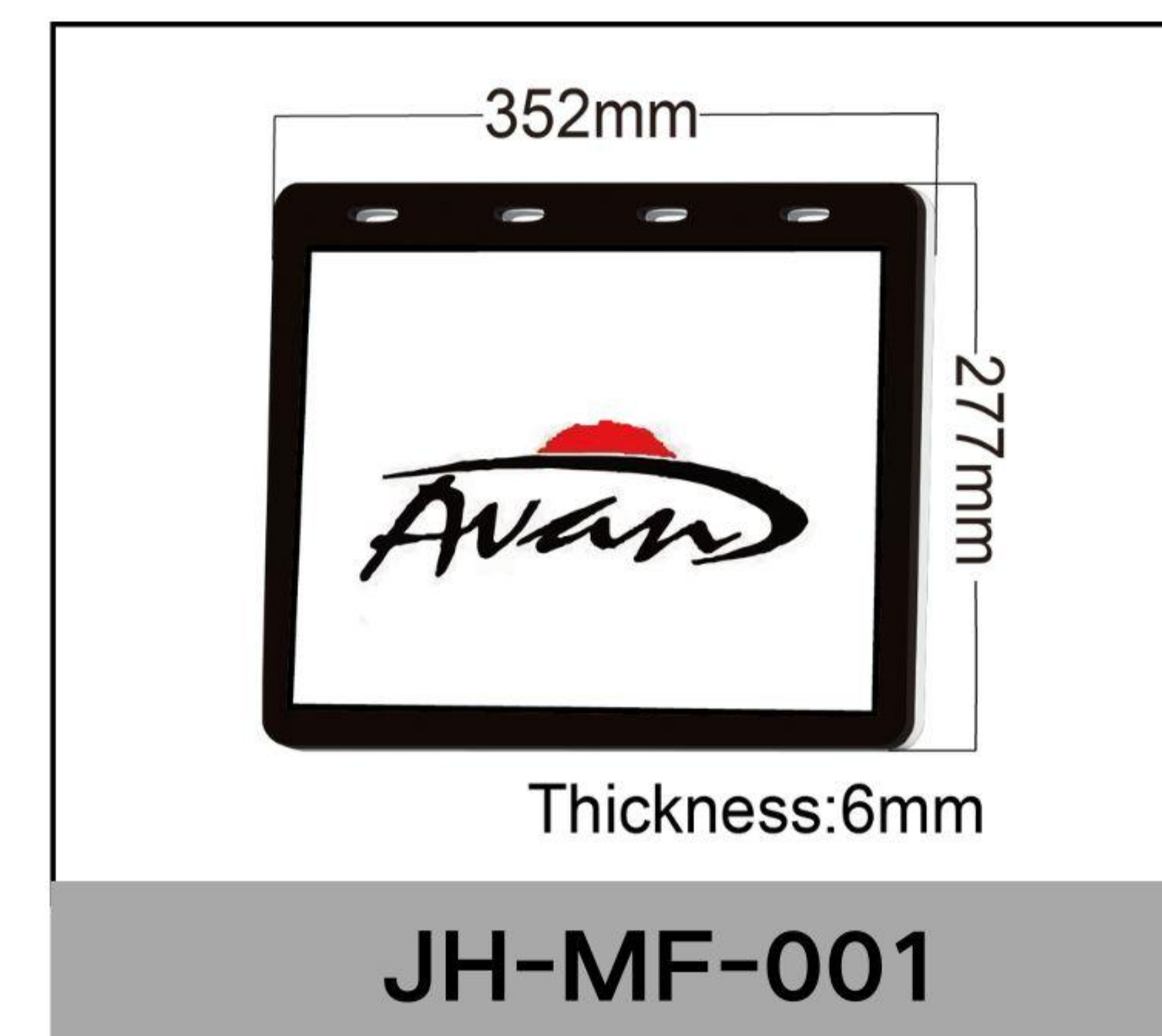
New type 3D Concave-convex mudflaps provide outstanding durability and longevity, capable of enduring the harshest road conditions while offering superior protection for your vehicle.

Expertly crafted, these mudflaps are designed to effectively shield your vehicle from mud, dirt, and debris, ensuring that it remains in pristine condition. By preventing damage caused by road debris and environmental elements, these mudflaps not only maintain the aesthetic appeal of your vehicle but also contribute to its overall longevity.

Whether you're driving through rugged terrain or on city streets, the New type 3D Concave-convex mudflaps are a reliable solution to keep your vehicle looking and performing at its best.



Product Reference



Product Features

Color / Size / Logo	Customized
Temperature	-20°C-90°C
From soft to hard	65-70A Hardness can be customized
Product Process	Screen printing process
Collision Avoidance	Effective gravel avoidance
Easy Installation	Easy to install, saving time and effort
Application	cars, trucks, trailers, semi trailers, pickups, buses, bikes, motorcycles etc.

Material Characteristics



PVC

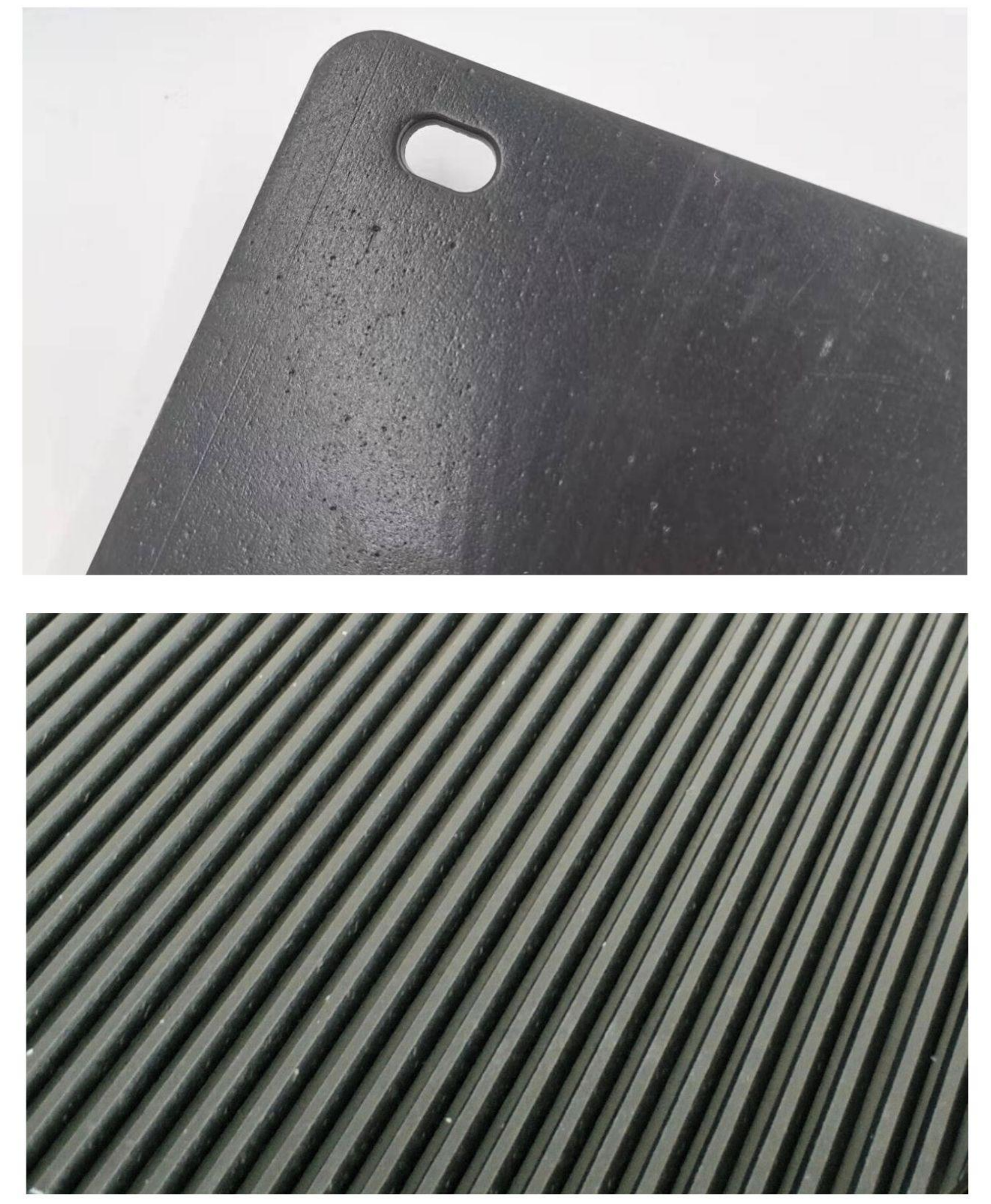
MUDFLAP customized logo

PRODUCT INTRODUCTION

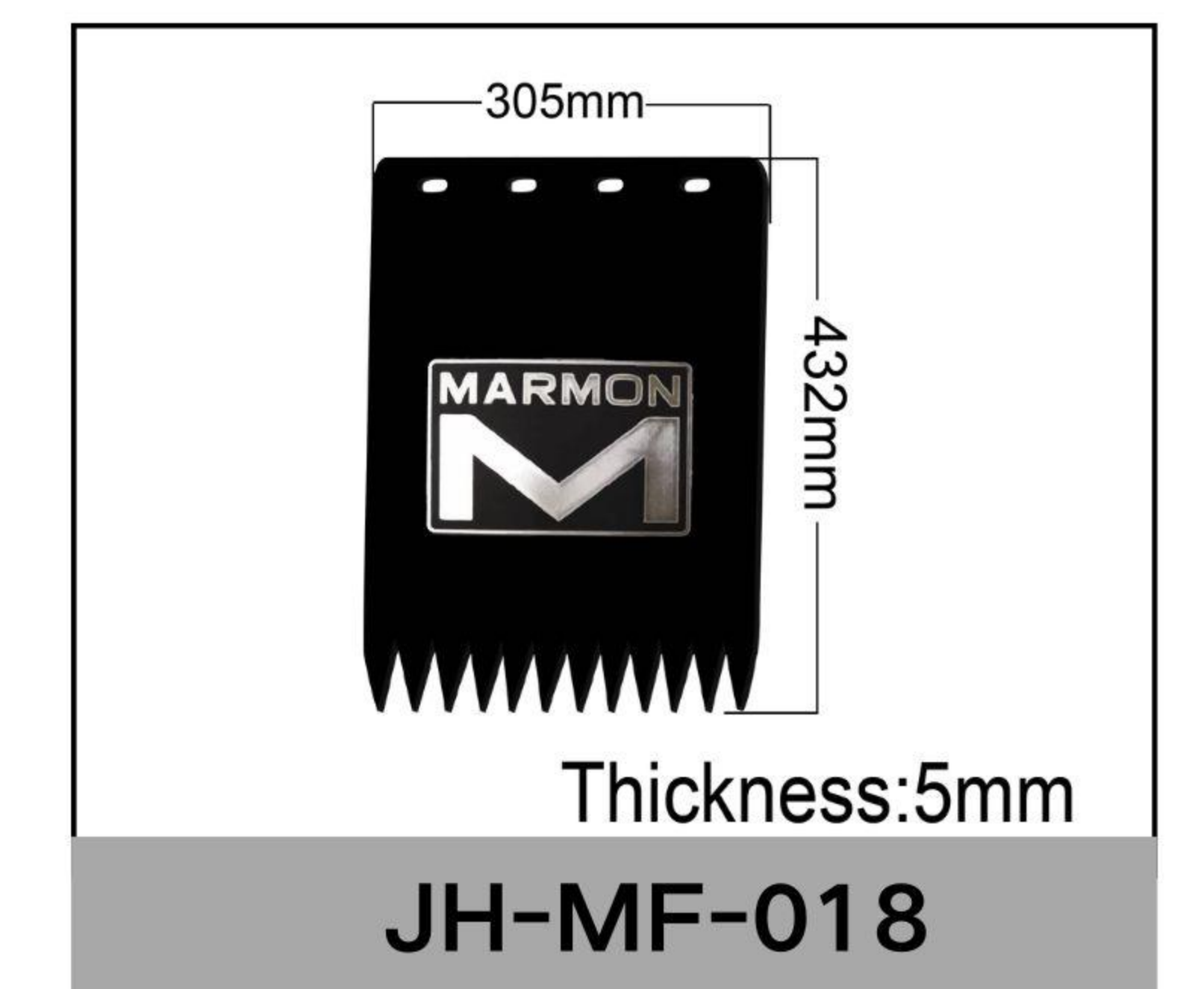
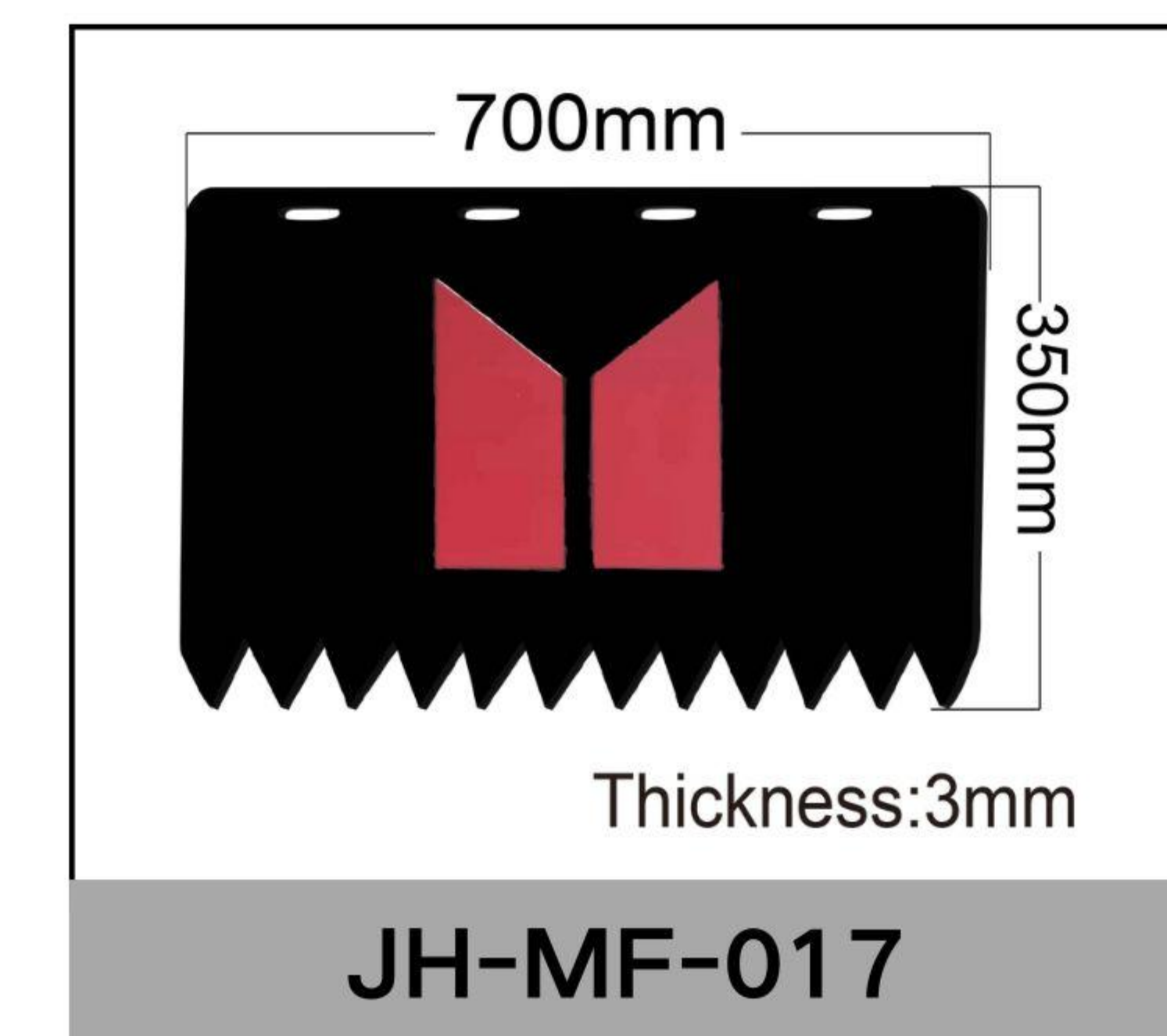
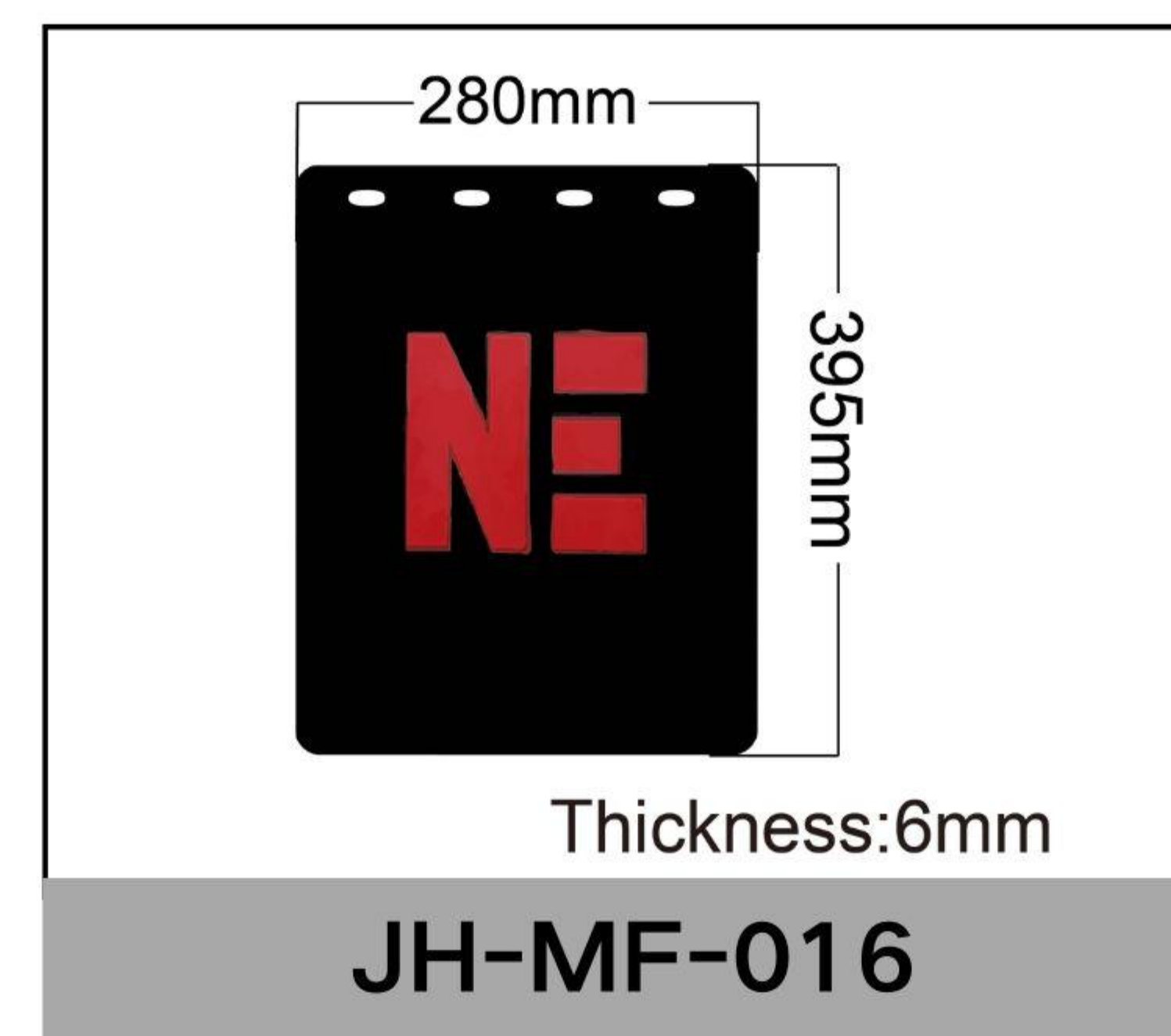
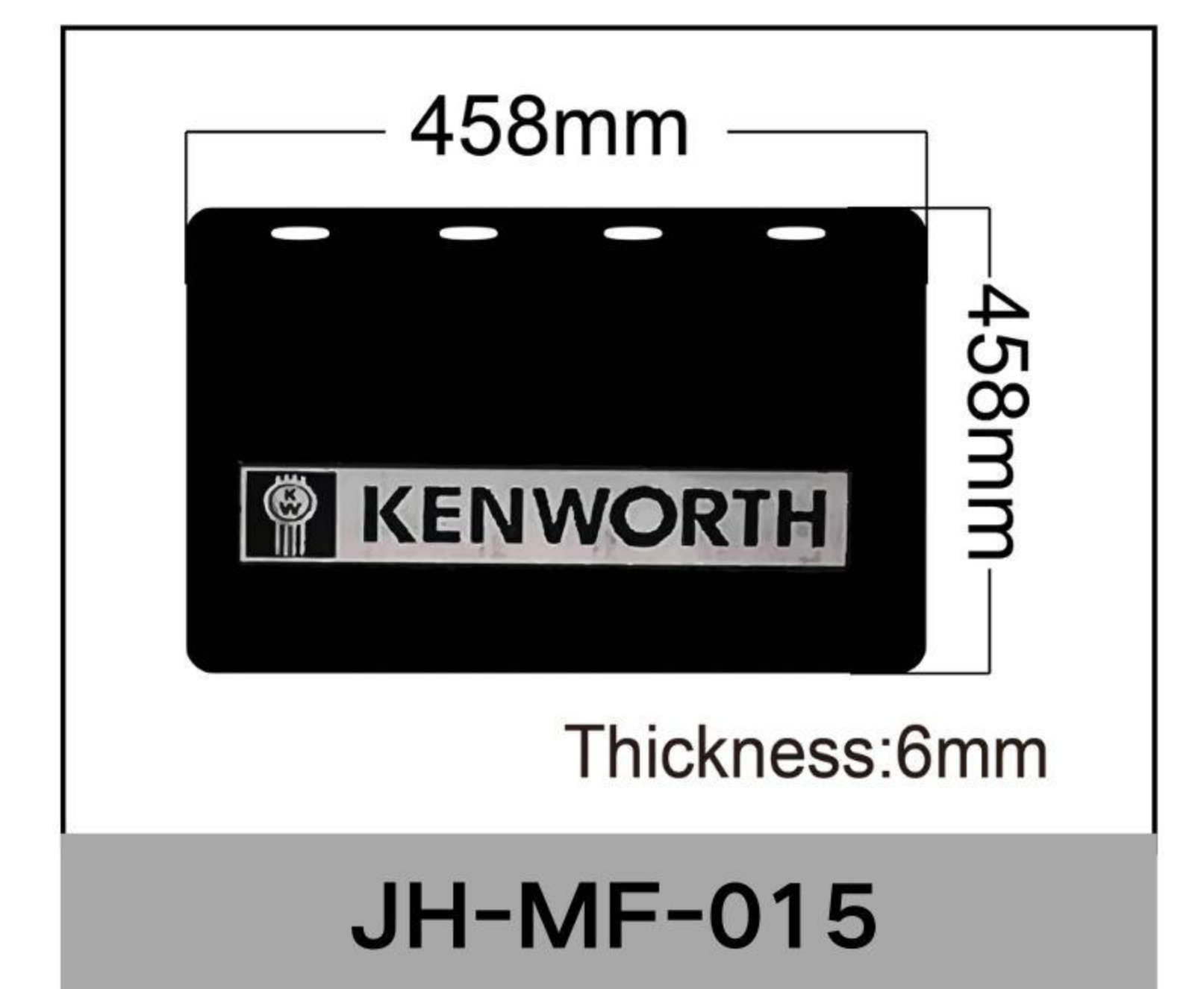
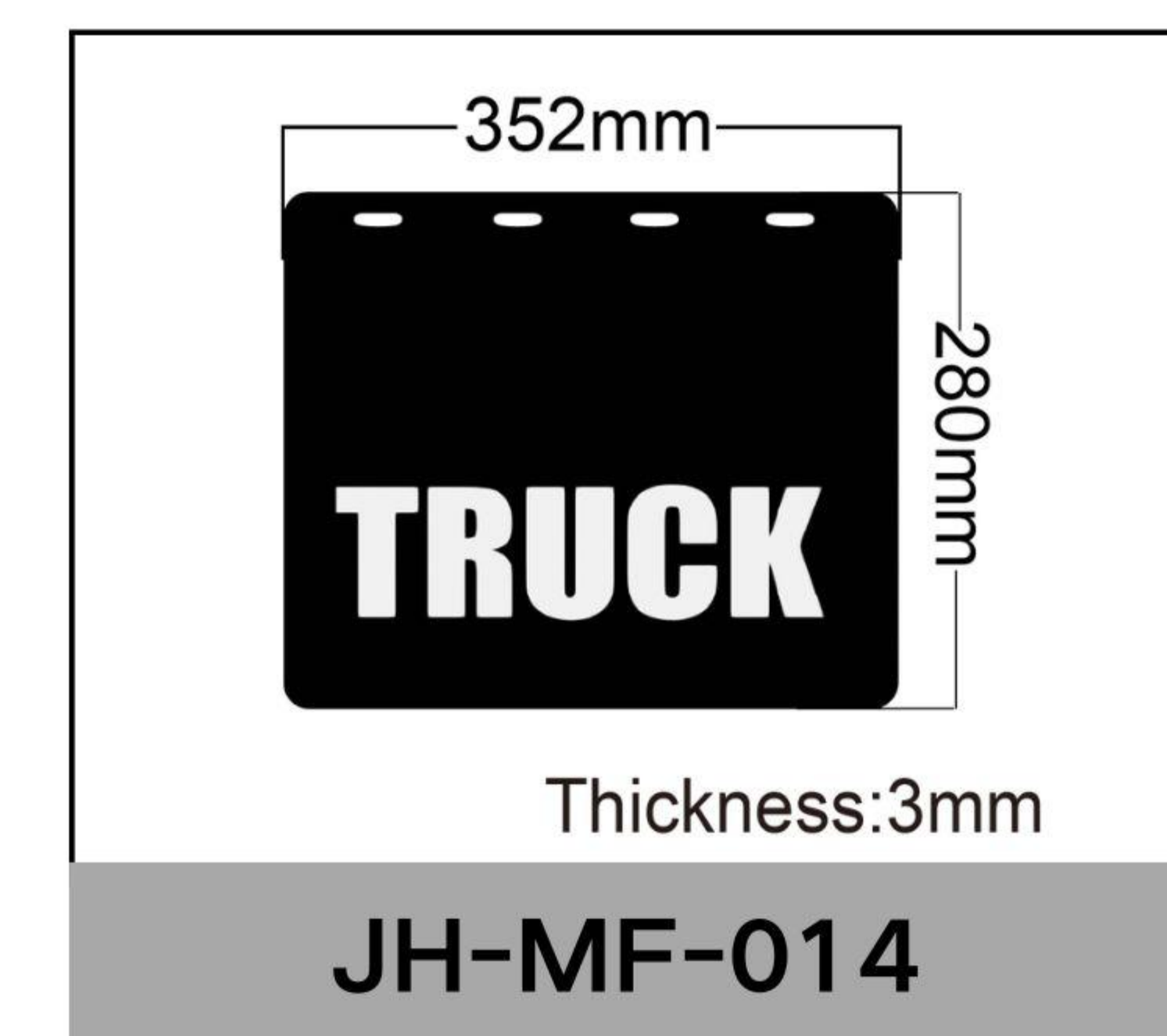
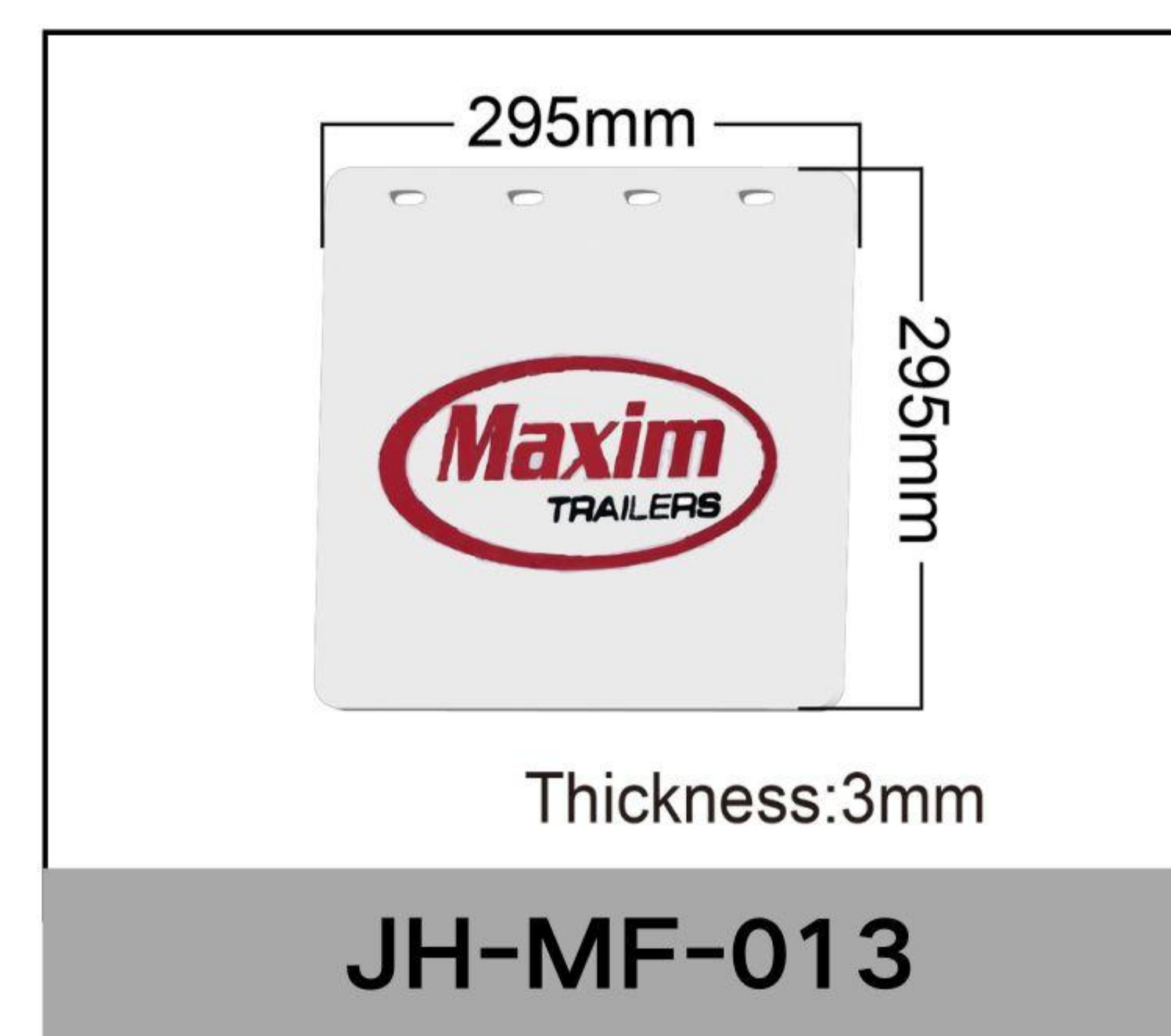
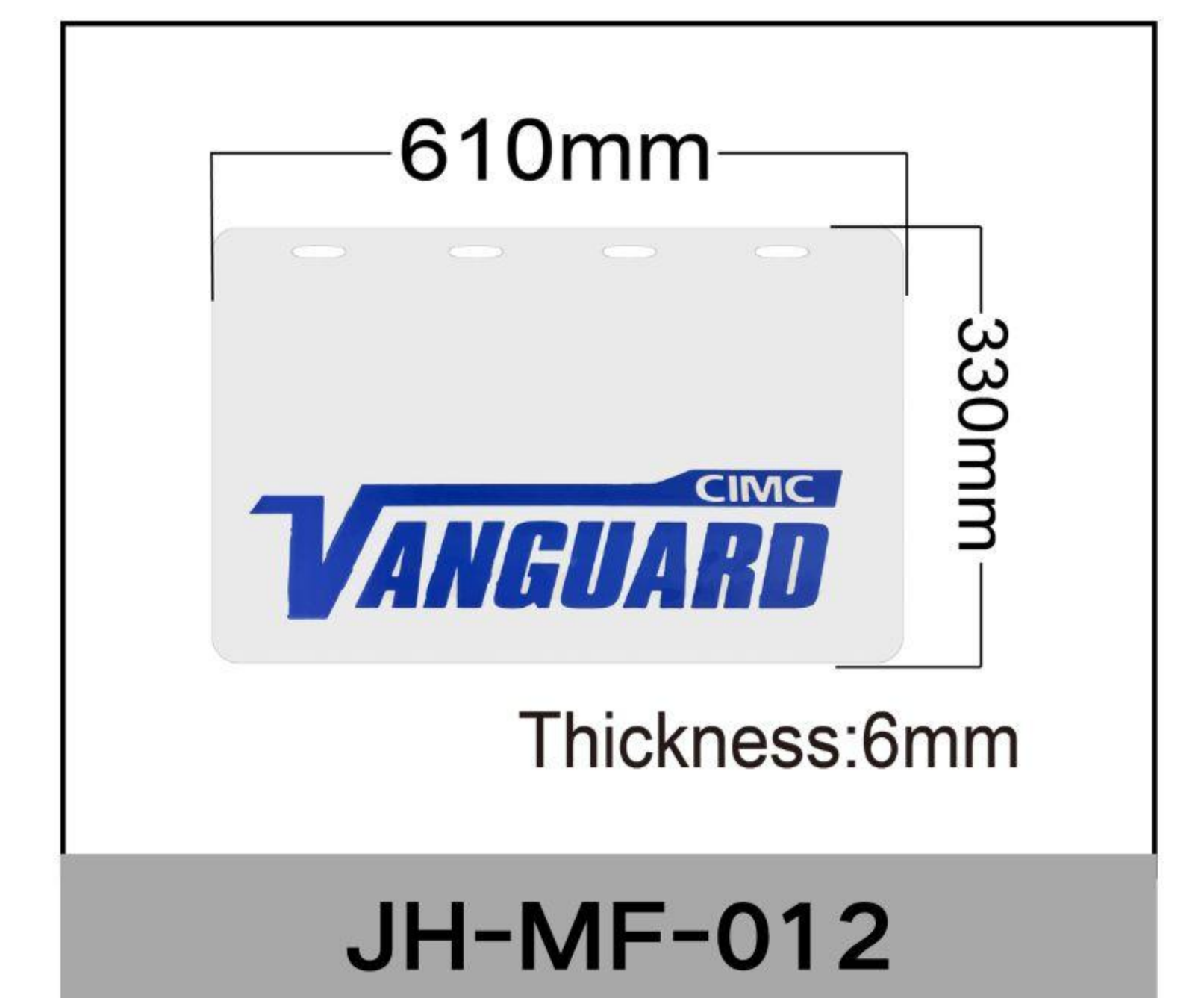
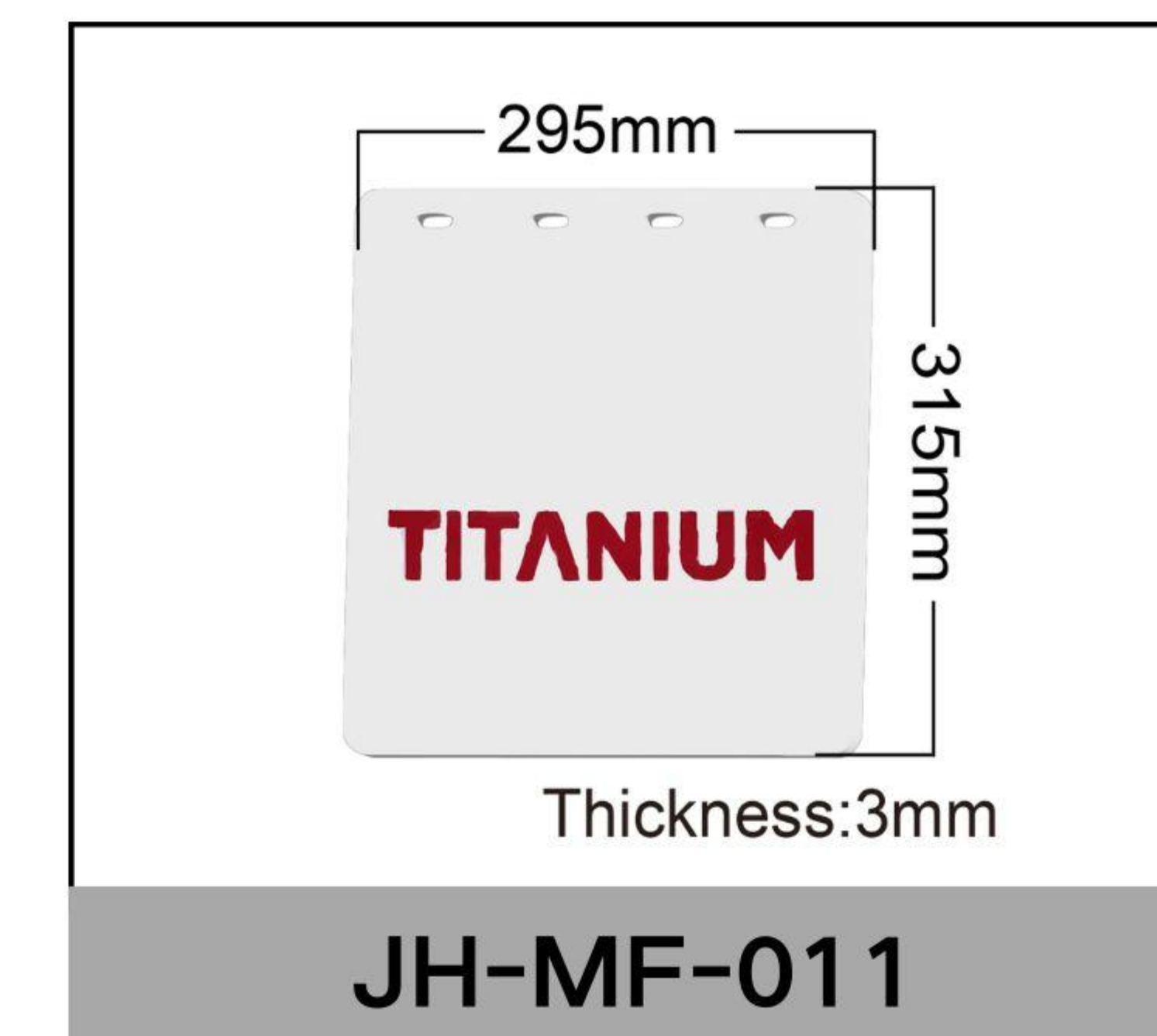
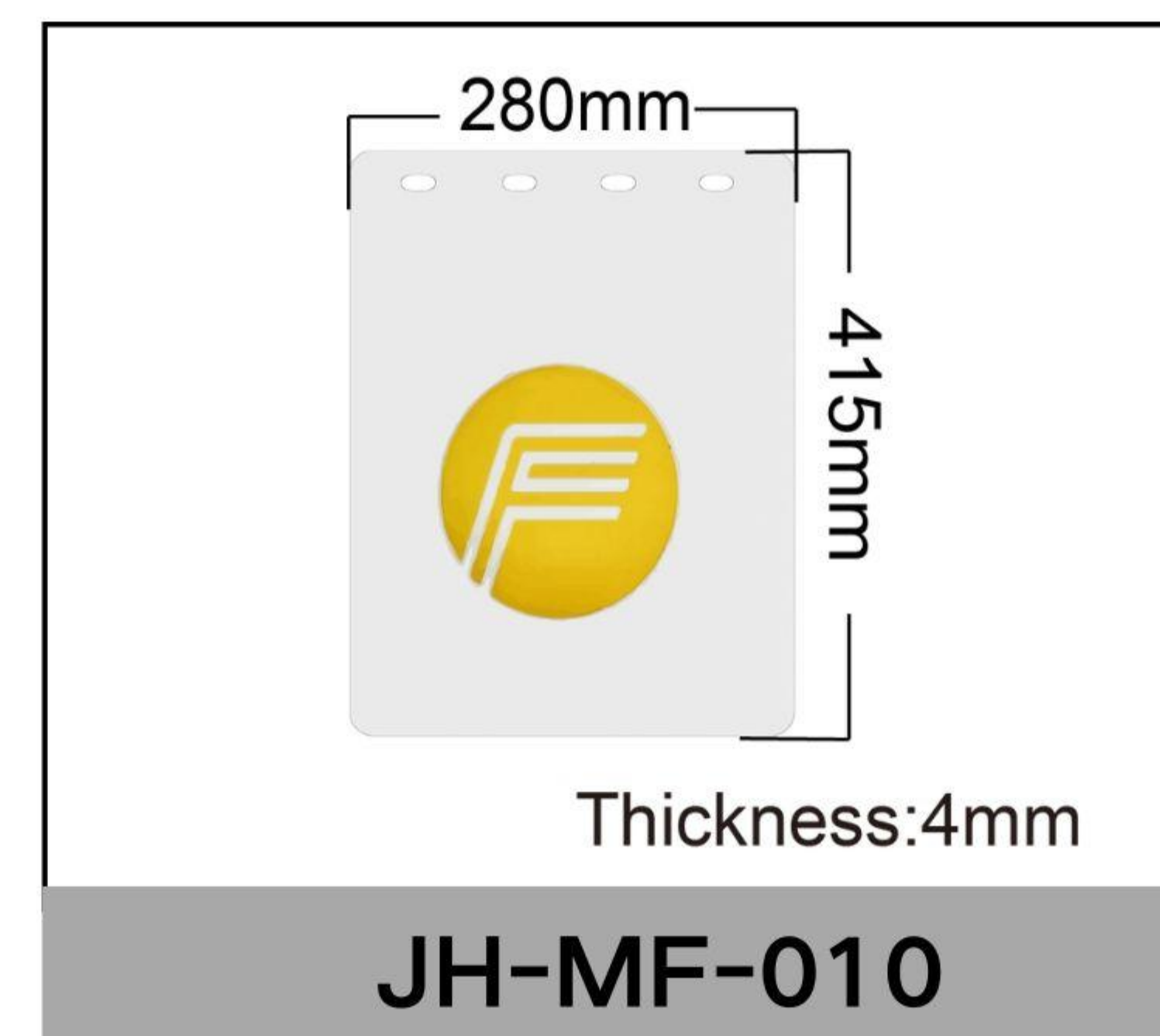
PVC mudflaps are a type of mudflap made from polyvinyl chloride (PVC) material. Mudflaps, also known as splash guards, are protective devices typically installed behind the wheels of vehicles to minimize the spray of water, mud, snow, and debris onto other vehicles or pedestrians.

Expertly crafted, these mudflaps are designed to effectively shield your vehicle from mud, dirt, and debris, ensuring that it remains in pristine condition.

PVC Mudflaps are relatively rigid and can hold their shape well and it is a popular choice due to their affordability.



Product Reference



Product Features

Color	Black and white or custom
Size / LOGO	Customized
Temperature	-20°C-90°C
From soft to hard	70-75A Hardness can be customized
Product Process	Screen printing process
Collision Avoidance	Effective gravel avoidance
Easy Installation	Easy to install, saving time and effort
Application	cars, trucks, trailers, semi trailers, pickups, buses, bikes, motorcycles etc.

Material Characteristics



RUBBER

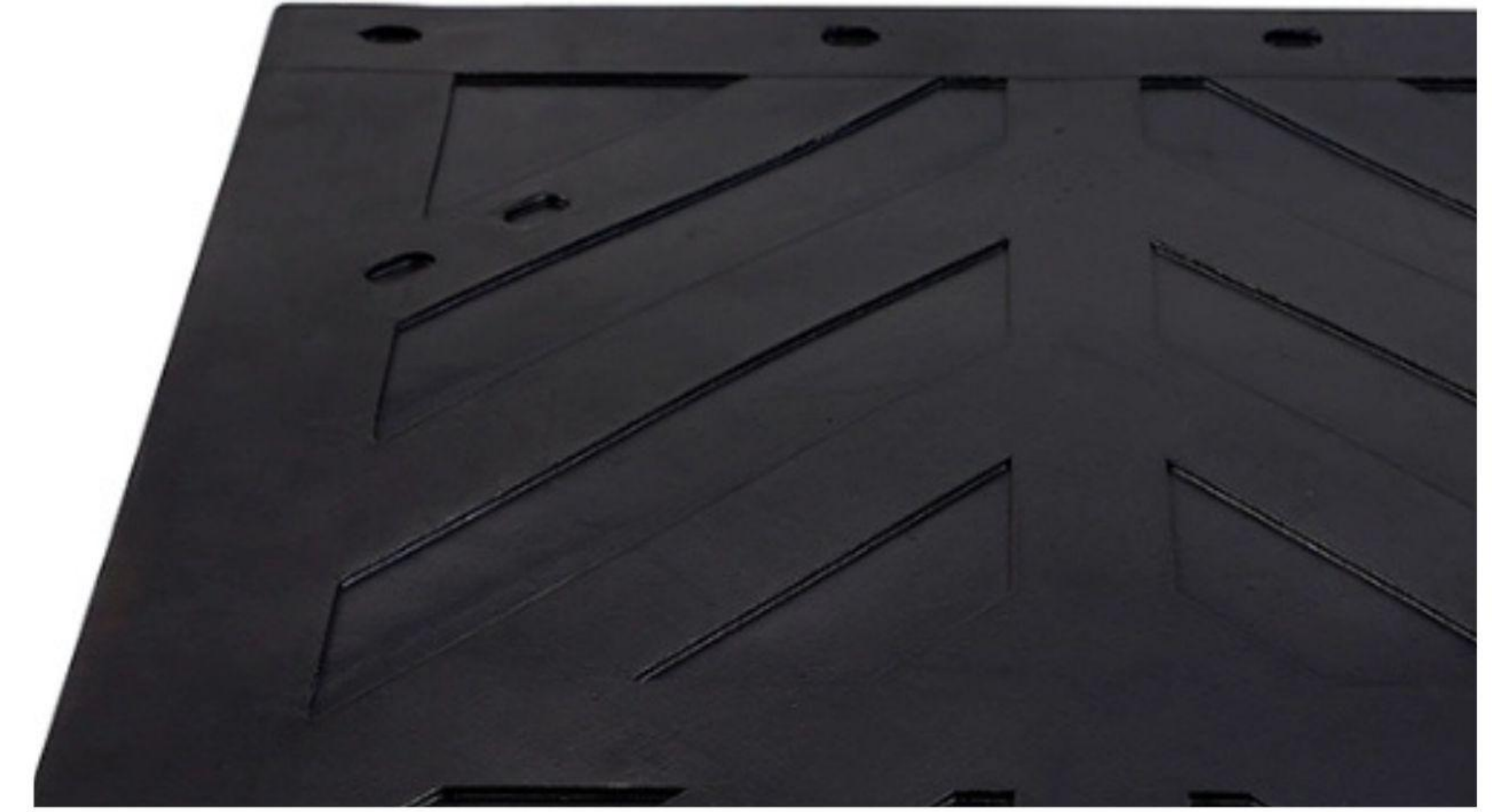
MUDFLAP customized logo

PRODUCT INTRODUCTION

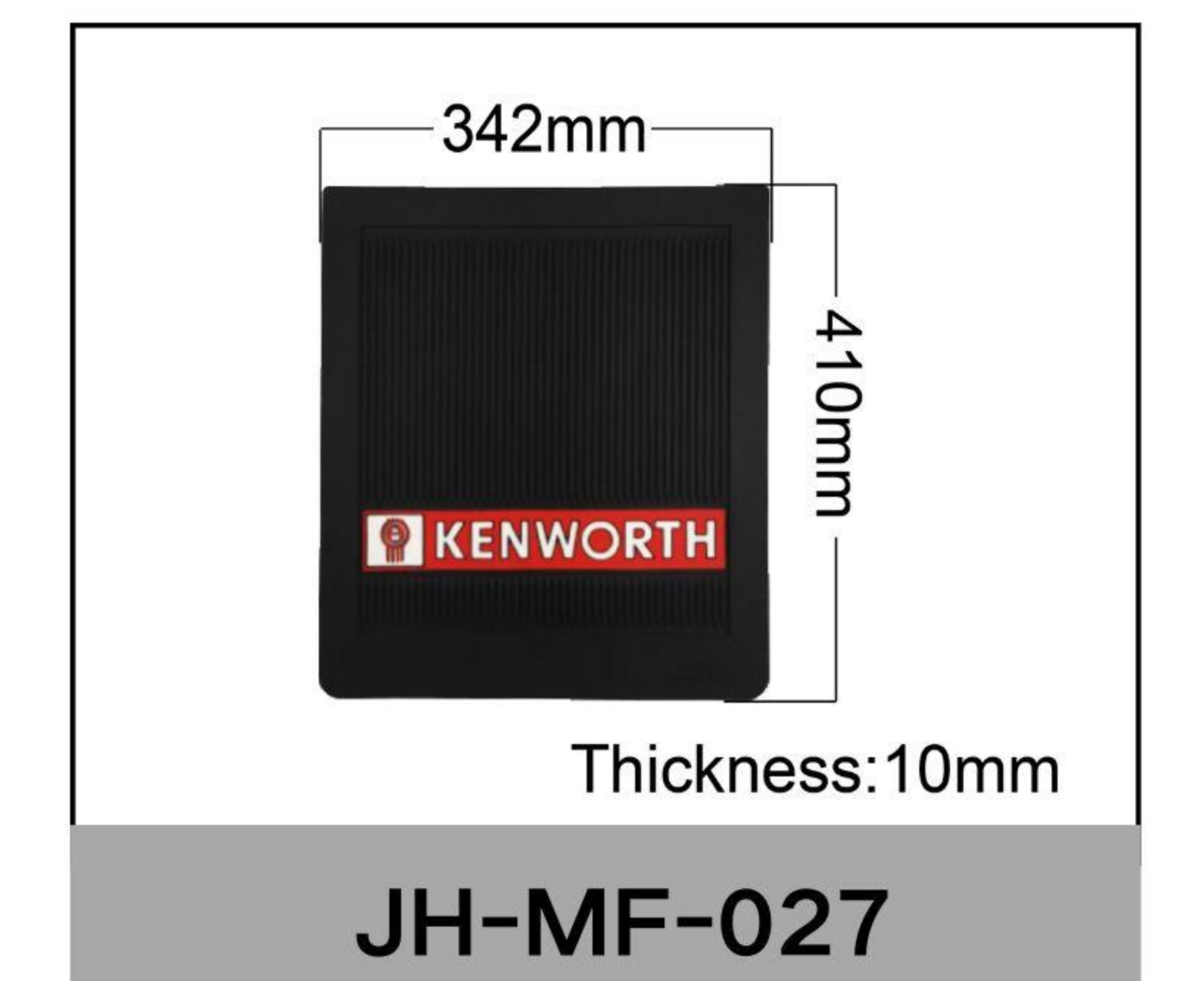
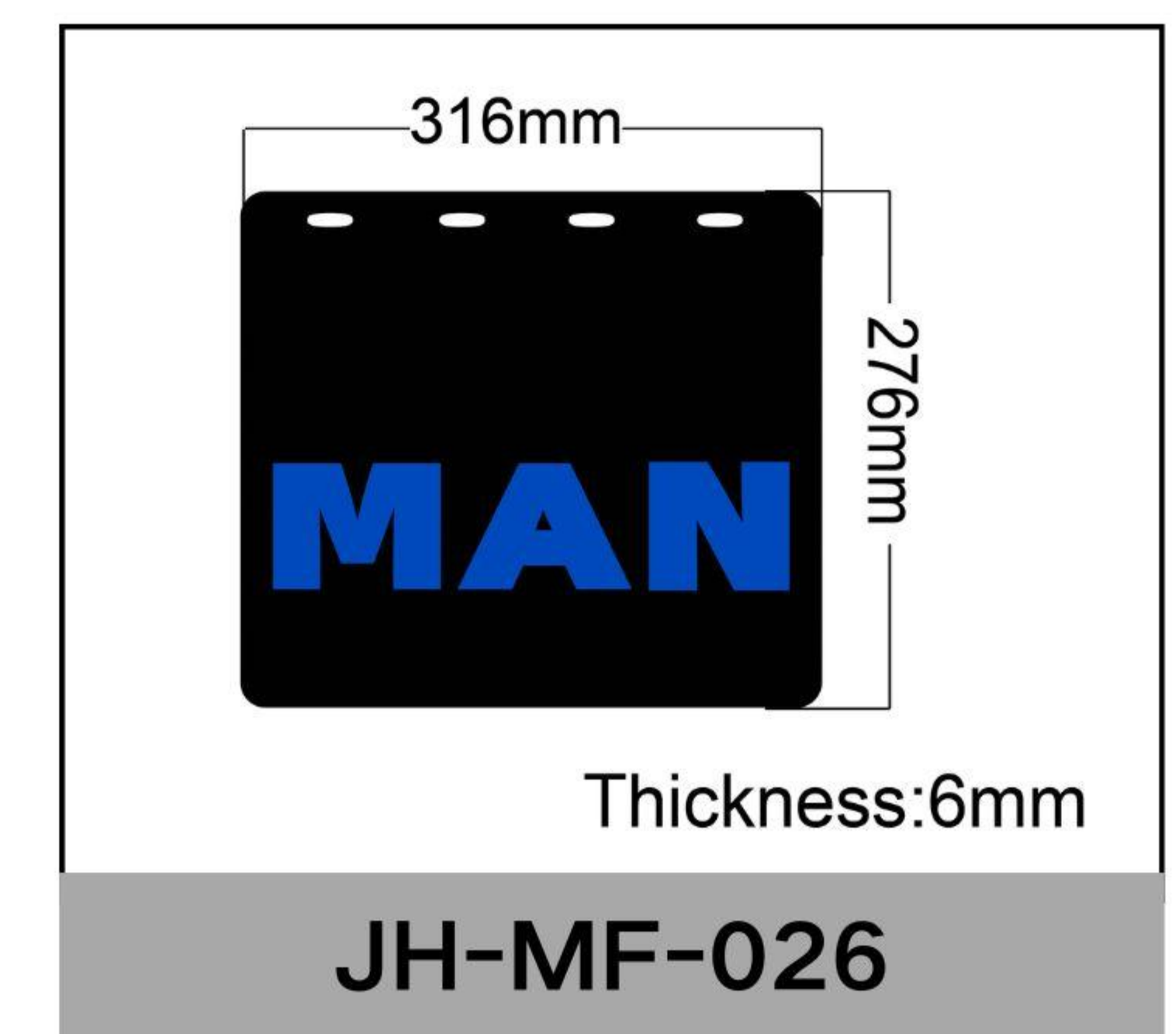
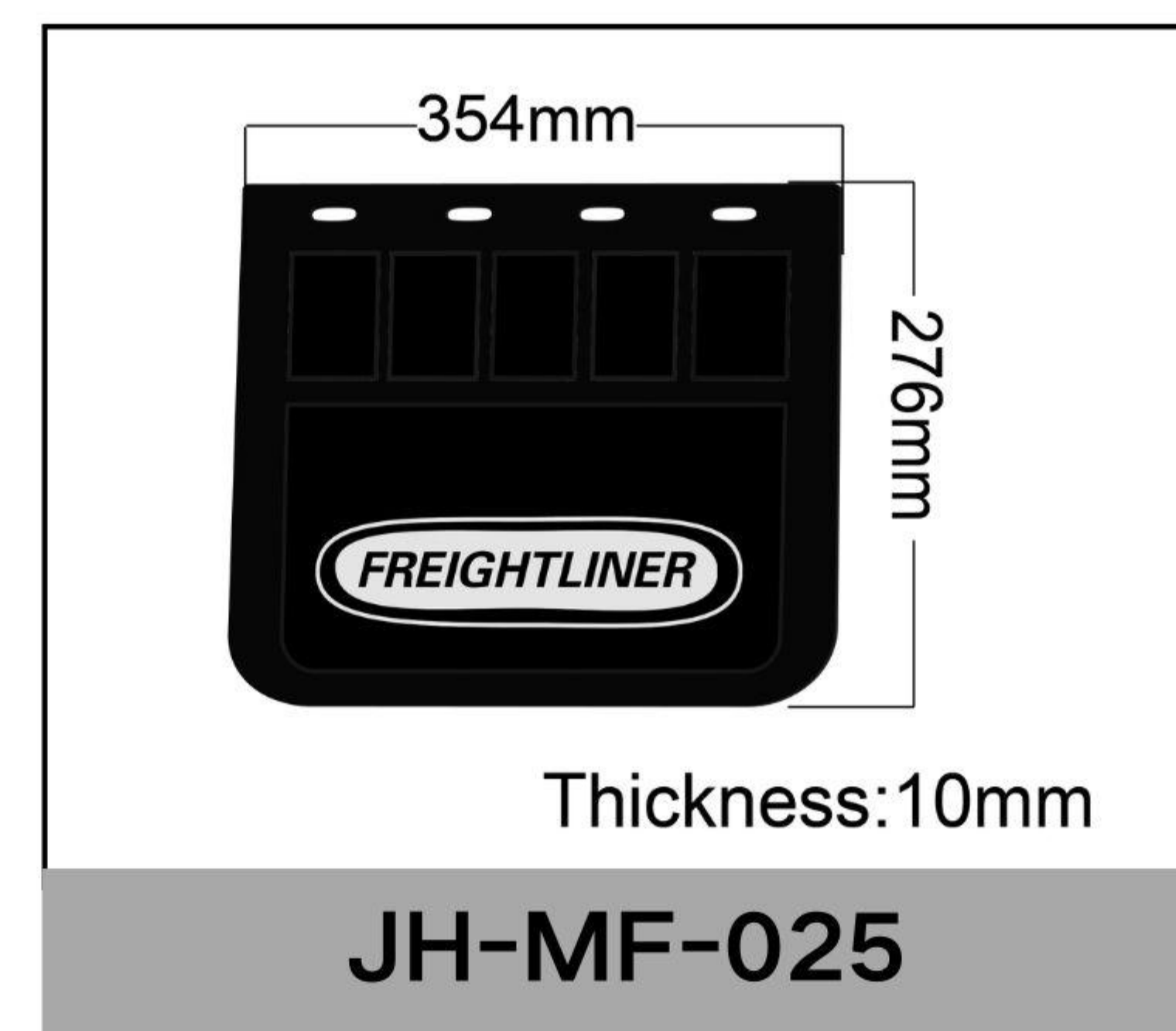
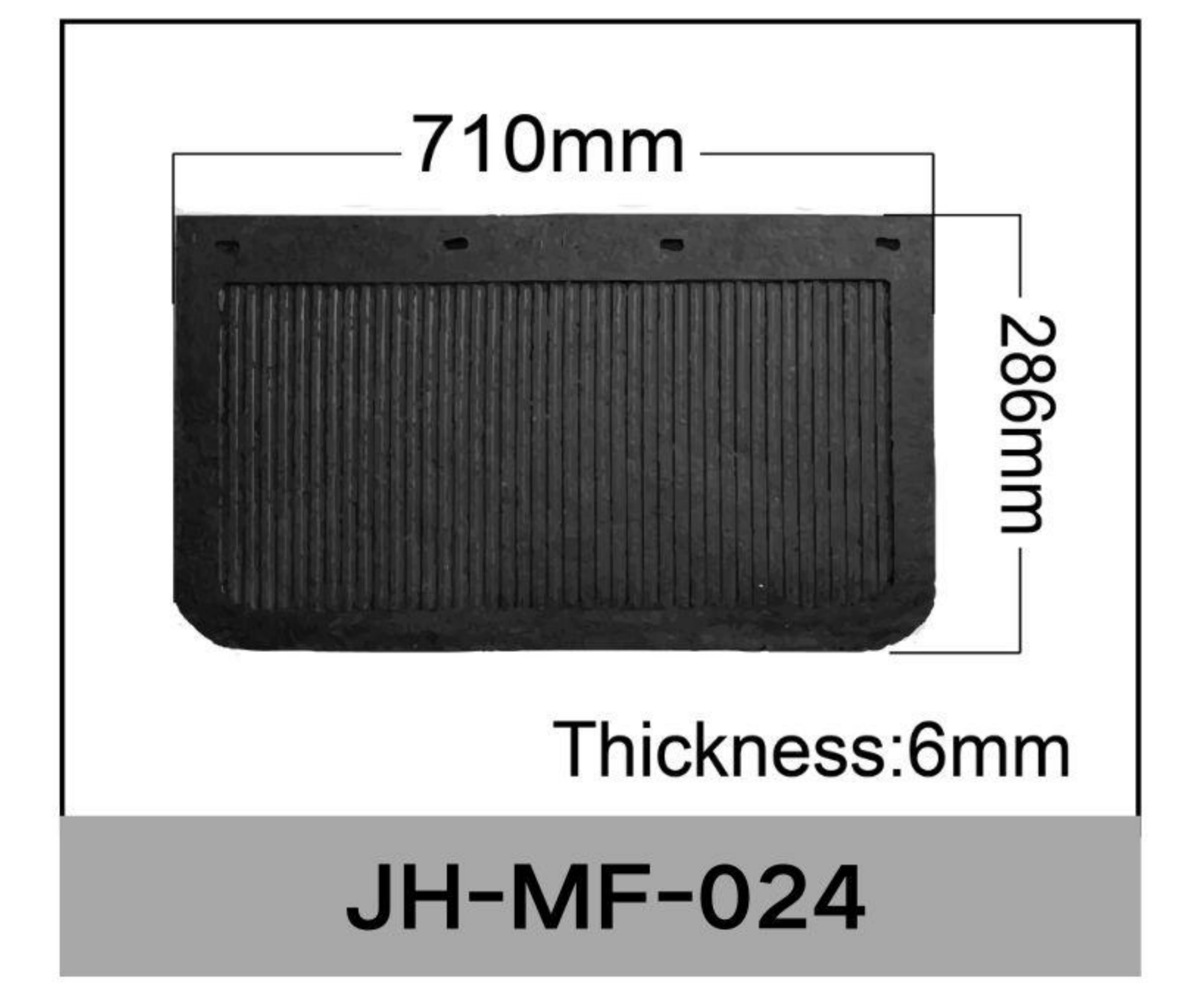
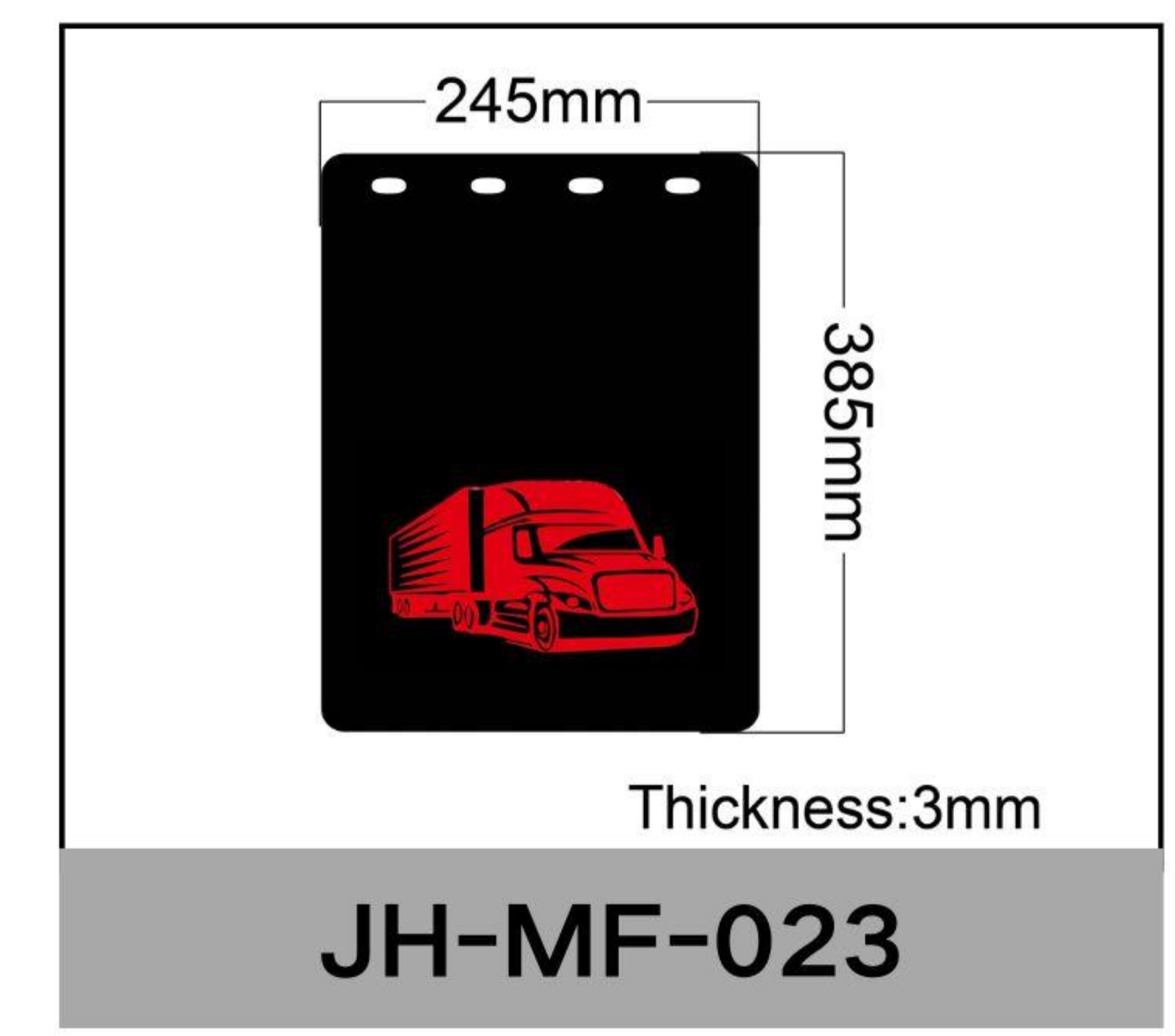
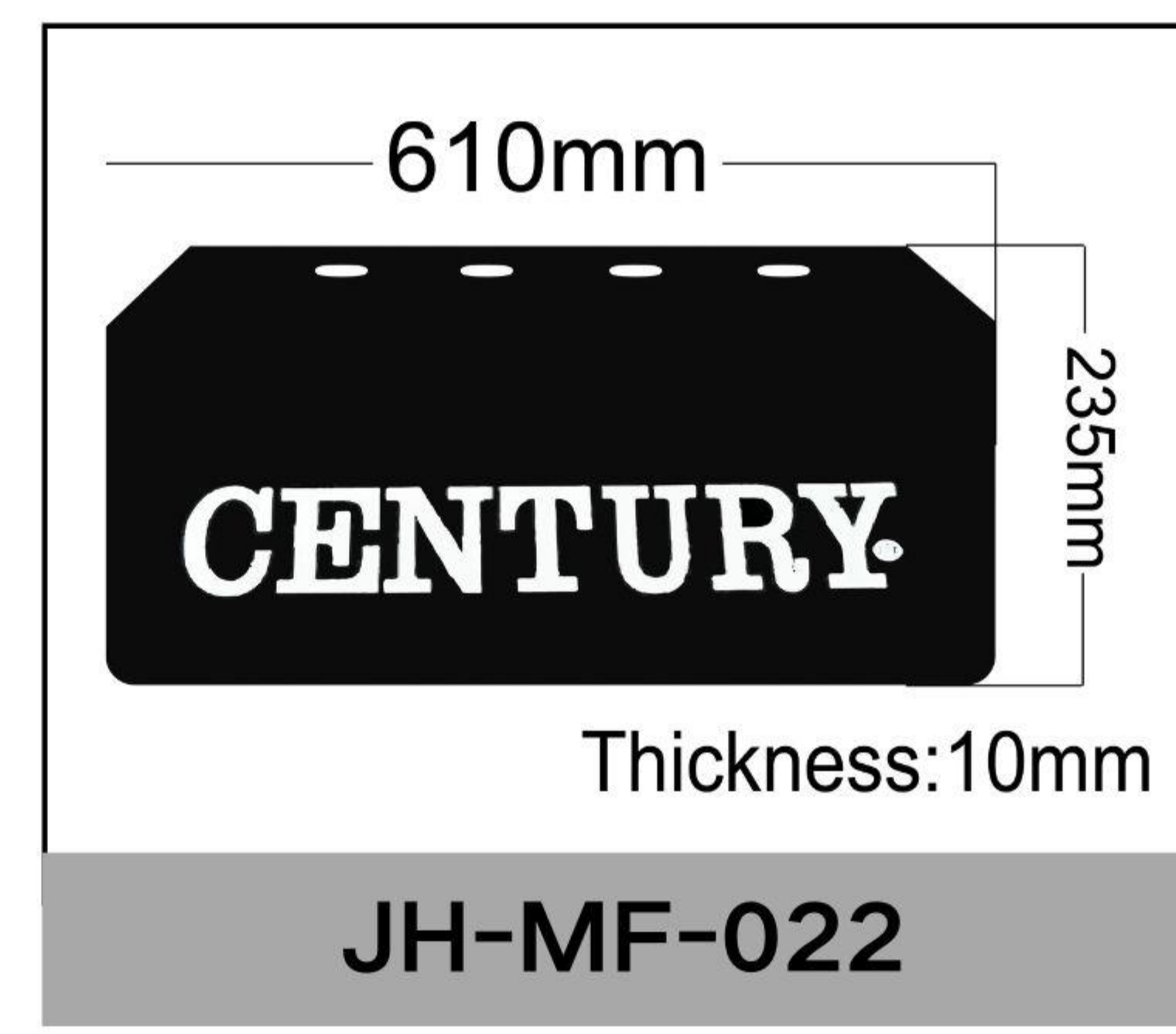
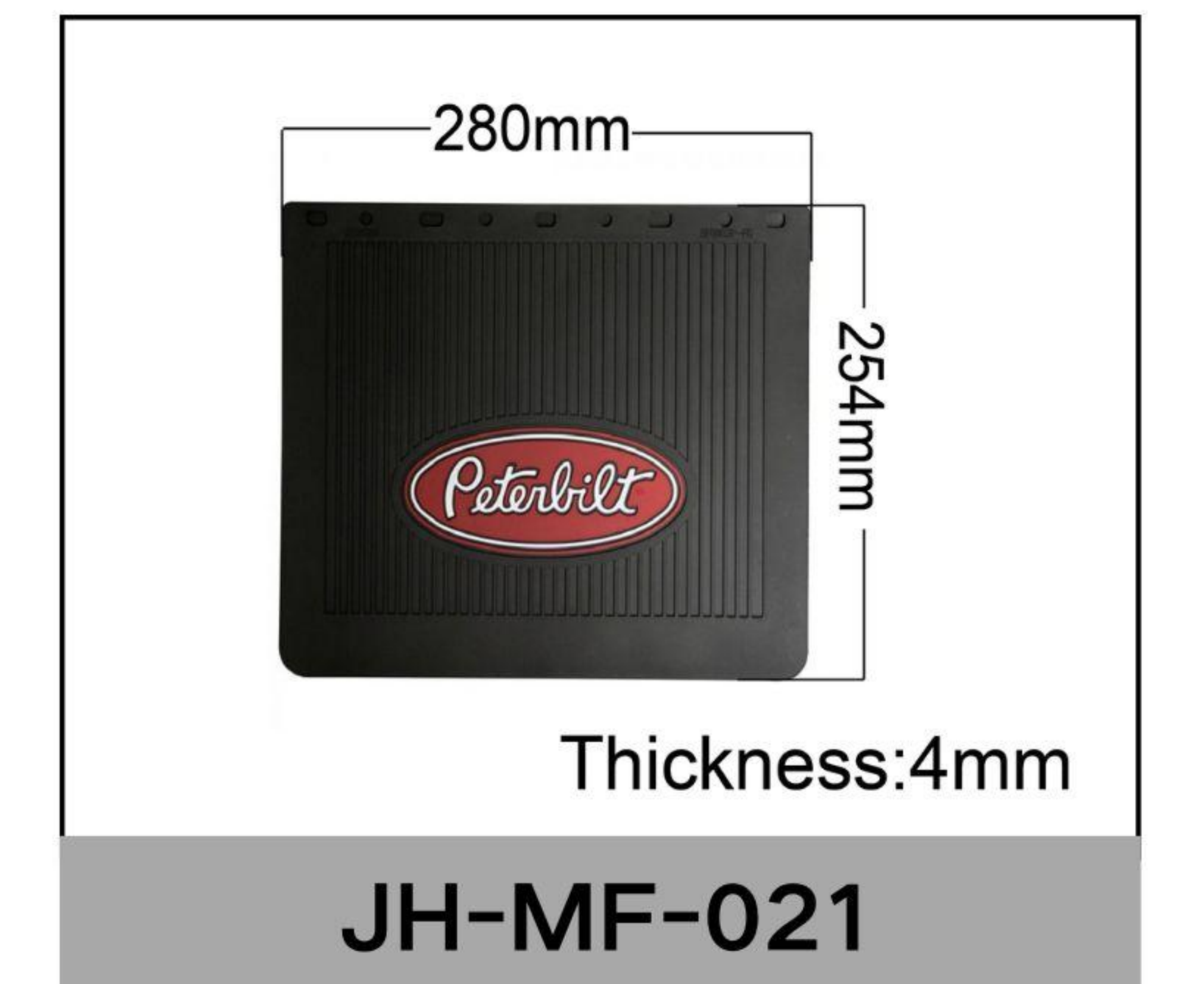
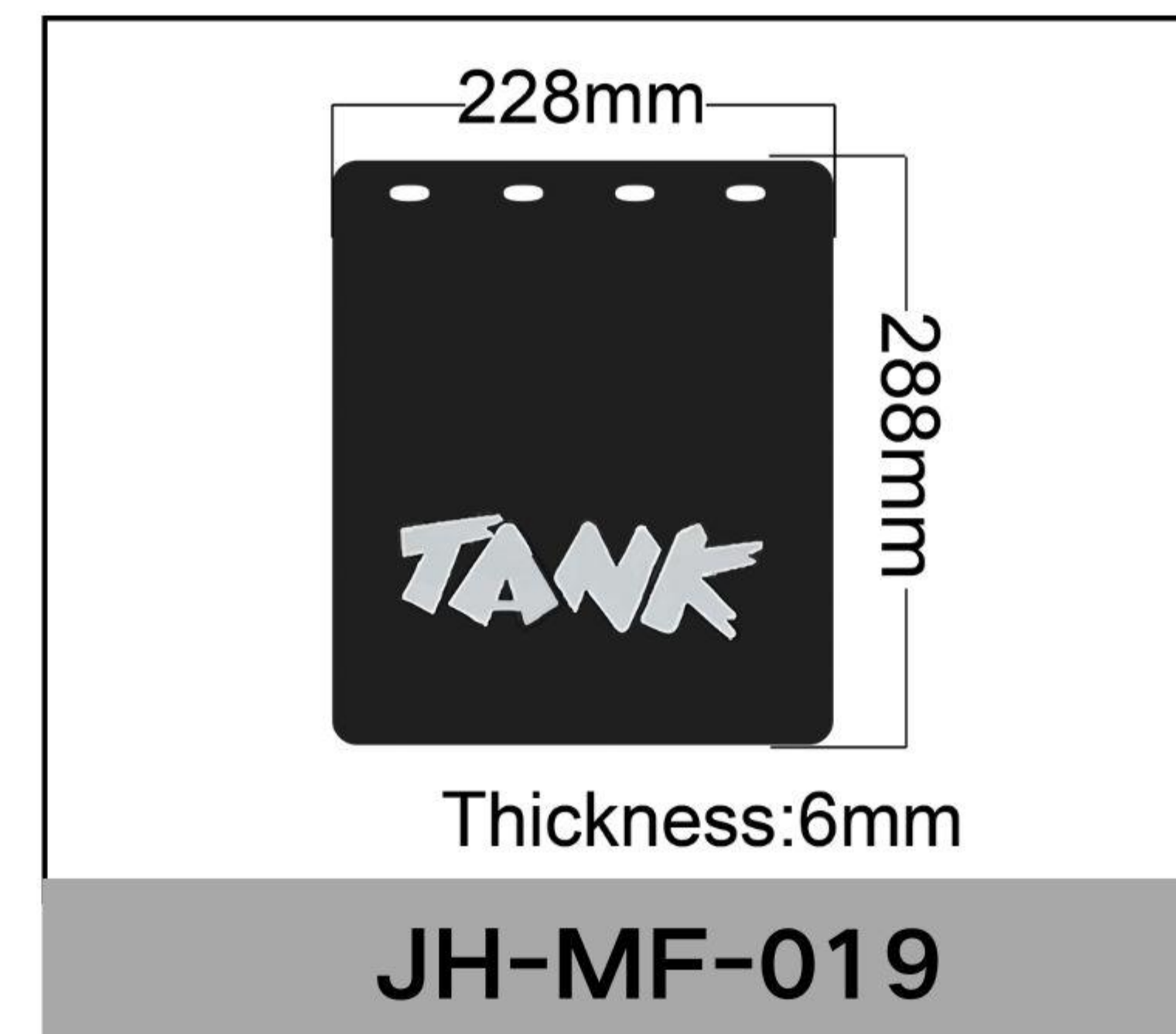
EPDM Mud flap is made of high-quality rubber, soft, flexible.

The EPDM material is waterproof and windproof, with exceptional weather resistance, providing robust protection against water, mud, and debris for your cars, and withstand extreme temperatures, ensuring lasting durability.

Additionally, EPDM mudflaps are energy-efficient, environmentally friendly, it can to reducing drag and enhancing fuel efficiency. it is your perfect choice for safeguarding and optimizing your vehicle.



Product Reference



Product Features

Color	Black
Size / LOGO	Customized
Temperature	-40°C-120°C
From soft to hard	65-70A Hardness can be customized
Product Process	Screen printing process
Collision Avoidance	Effective gravel avoidance
Easy Installation	Easy to install, saving time and effort
Application	cars, trucks, trailers, semi trailers, pickups, buses, bikes, motorcycles etc.

Material Characteristics

